

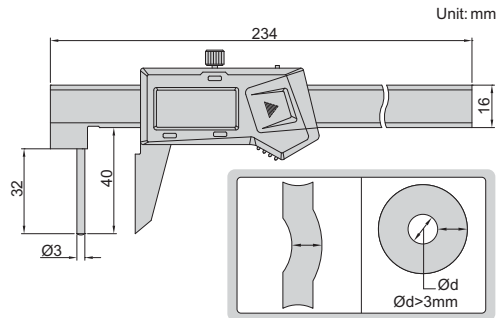
DIGITAL TUBE THICKNESS CALIPER

DATA
OUTPUT



- Measure wall thickness of tube
- Resolution: 0.01mm/0.0005
- Buttons: on/off, zero, mm/in
- Automatic power off, move the digital unit to turn on power
- Battery CR2032
- Data output
- Made of stainless steel
- Optional accessory: data output system (code 7306-20, 7302-SPC1A/SPC1B, 7305-SPC2)

1161-150A



Code	Range	Accuracy
1161-150A	0-150mm/0-6"	±0.05mm