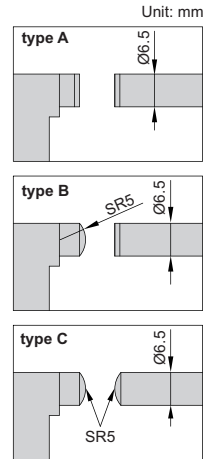
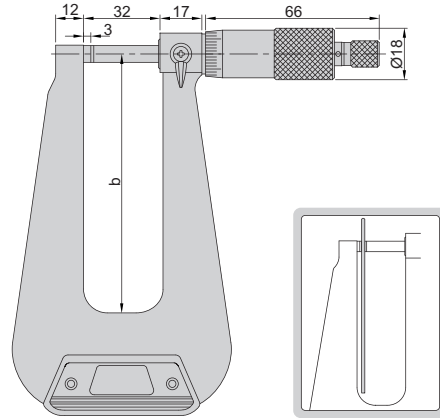


SHEET METAL MICROMETER



3239-253



(mm)

Code	Range	Type	Accuracy	b
3239-253	0-25mm	A	5 μ m	155
3239-253F	0-25mm	B	5 μ m	155
3239-254F	0-25mm	B	6 μ m	310
3239-253S	0-25mm	C	5 μ m	155

- Deep frame suitable for sheet metal, paper and plastic
- Graduation 0.01mm
- Ratchet stop
- Carbide measuring faces