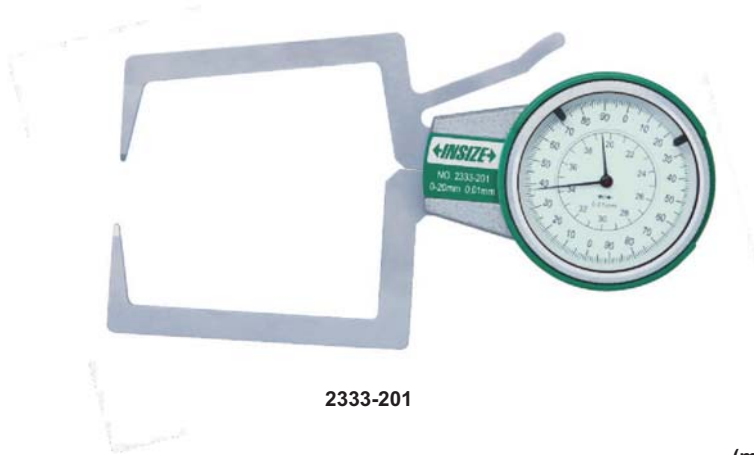
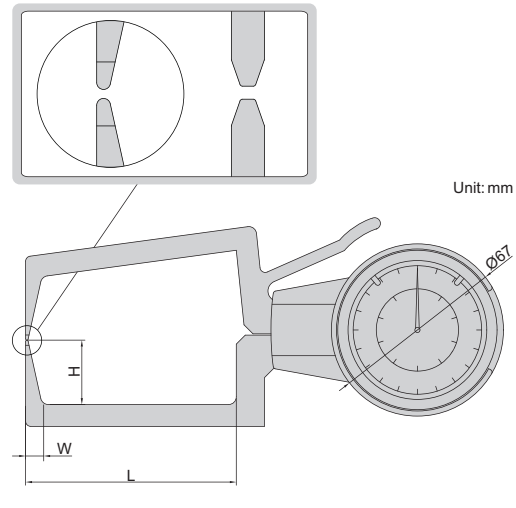


EXTERNAL DIAL CALIPER GAGE



2333-201



(mm)

Code	Range	Graduation	Accuracy	L	H	W
2333-201	0-20mm	0.01mm	$\pm 0.03\text{mm}$	80	25	6.5
2333-301	10-30mm	0.01mm	$\pm 0.03\text{mm}$	80	25	6.5
2333-401	20-40mm	0.01mm	$\pm 0.03\text{mm}$	80	25	6.5
2333-501	30-50mm	0.01mm	$\pm 0.03\text{mm}$	80	25	6.5
2333-601	40-60mm	0.01mm	$\pm 0.03\text{mm}$	80	25	6.5