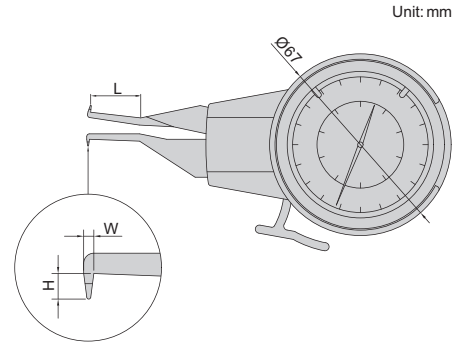


INTERNAL DIAL CALIPER GAGE



2222-15



(mm)

Code	Range	Graduation	Accuracy	L	H	W
2222-15	5-15mm	0.01mm	±0.02mm	20	1.5	1.5
2222-25	5-25mm	0.01mm	±0.03mm	35	1.5	1.5
2222-301	10-30mm	0.01mm	±0.03mm	55	5.0	2.6
2222-401	20-40mm	0.01mm	±0.03mm	80	6.0	3.0
2222-501	30-50mm	0.01mm	±0.03mm	80	8.0	3.0
2222-60	40-60mm	0.01mm	±0.03mm	80	8.0	3.0