

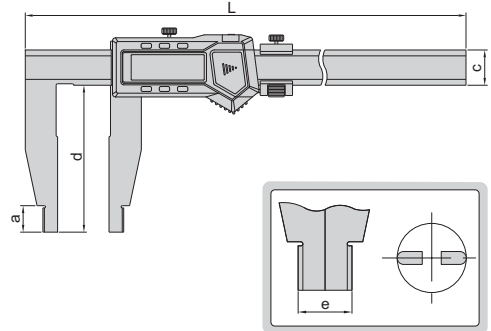
DIGITAL CALIPER

DATA
OUTPUT



(mm) 1106-501

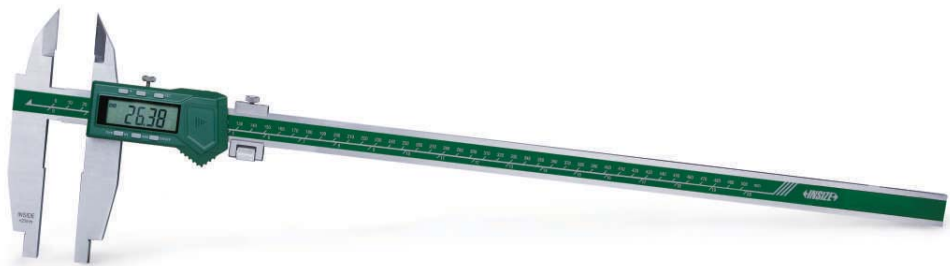
Code	Range	Accuracy	a	c	d	e	L
1106-301	0-300mm/0-12"	±0.05mm	12	24	100	20	420
1106-302	0-300mm/0-12"	±0.05mm	12	24	150	20	420
1106-451	0-450mm/0-18"	±0.05mm	18	24	100	20	625
1106-501	0-500mm/0-20"	±0.05mm	18	24	100	20	675
1106-502	0-500mm/0-20"	±0.06mm	18	24	150	20	675
1106-503	0-500mm/0-20"	±0.06mm	18	31	200	20	675
1106-505	0-500mm/0-20"	±0.08mm	18	42	300	20	675
1106-601	0-600mm/0-24"	±0.05mm	18	24	100	20	770
1106-602	0-600mm/0-24"	±0.06mm	18	24	150	20	770
1106-603	0-600mm/0-24"	±0.06mm	18	31	200	20	770
1106-802	0-800mm/0-32"	±0.07mm	24	31	150	20	1025
1106-1002	0-1000mm/0-40"	±0.08mm	24	31	150	20	1220
1106-1003	0-1000mm/0-40"	±0.08mm	24	31	200	20	1220
1106-1005	0-1000mm/0-40"	±0.10mm	24	42	300	20	1220
1106-1502	0-1500mm/0-60"	±0.11mm	24	42	150	20	1780
1106-1503	0-1500mm/0-60"	±0.12mm	24	42	200	20	1780
1106-2002	0-2000mm/0-80"	±0.14mm	24	42	150	20	2290
1106-2003	0-2000mm/0-80"	±0.14mm	24	42	200	20	2290



- Resolution: 0.01mm/0.0005"
- Button function: on/off, zero, mm/inch, ABS, data preset
- Battery CR2032
- Data output
- Made of stainless steel
- Optional accessory: data output system (code 7306-20, 7302-SPC1A/SPC1B, 7305-SPC2)

DIGITAL CALIPER

DATA
OUTPUT



1117-501

- Resolution: 0.01mm/0.0005"
- Button function: on/off, zero, mm/inch, ABS, data preset
- Battery CR2032
- Data output
- Made of stainless steel
- Optional accessory: data output system (code 7306-20, 7302-SPC1A/SPC1B, 7305-SPC2)

Code	Range	Accuracy	a	b	c	d	e	L
1117-301	0-300mm/0-12"	±0.05mm	12	38	24	100	20	420
1117-501	0-500mm/0-20"	±0.05mm	18	56	24	100	20	675
1117-502	0-500mm/0-20"	±0.06mm	18	56	24	150	20	675
1117-601	0-600mm/0-24"	±0.05mm	18	56	24	100	20	770
1117-802	0-800mm/0-32"	±0.07mm	24	67	31	150	20	1025
1117-1002	0-1000mm/0-40"	±0.08mm	24	67	31	150	20	1220

(mm)

