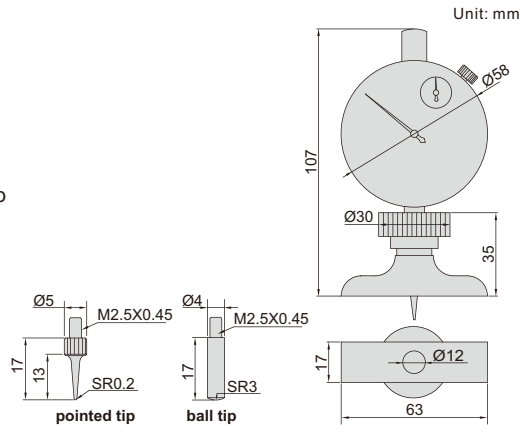


# DIAL DEPTH GAGE

- Accuracy:  $\pm 0.017\text{mm}$
- Stainless steel base
- Supplied with pointed tip and ball tip



2341-101A

Code	Range	Dial indicator stroke	Dial indicator graduation
2341-101A	0-10mm	10mm	0.01mm

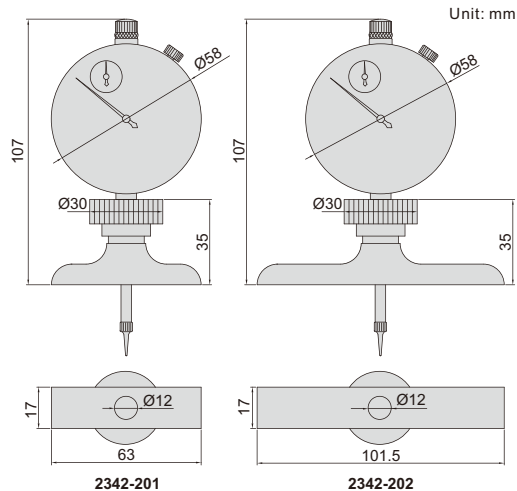
# DIAL DEPTH GAGES



**2342-202**

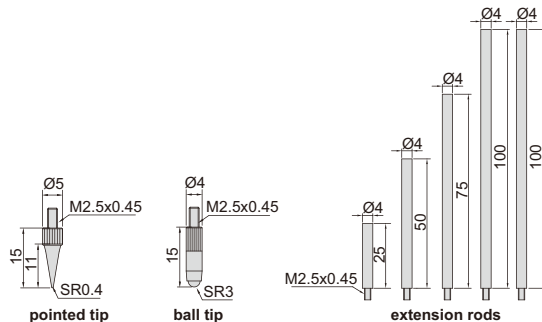
- Dial indicator graduation: 0.01mm
- Accuracy:  $\pm 0.03\text{mm}$
- Stainless steel base
- Extension rods: 25mm (1pc), 50mm (1pc), 75mm (1pc), 100mm (2pcs)
- Supplied with pointed tip and ball tip

Code	Range	Dial indicator stroke	Base
<b>2342-201</b>	0-300mm	30mm	63x17mm
<b>2342-202</b>	0-300mm	30mm	101.5x17mm



**2342-201**

**2342-202**



**pointed tip**

**ball tip**

**extension rods**

Unit: mm